



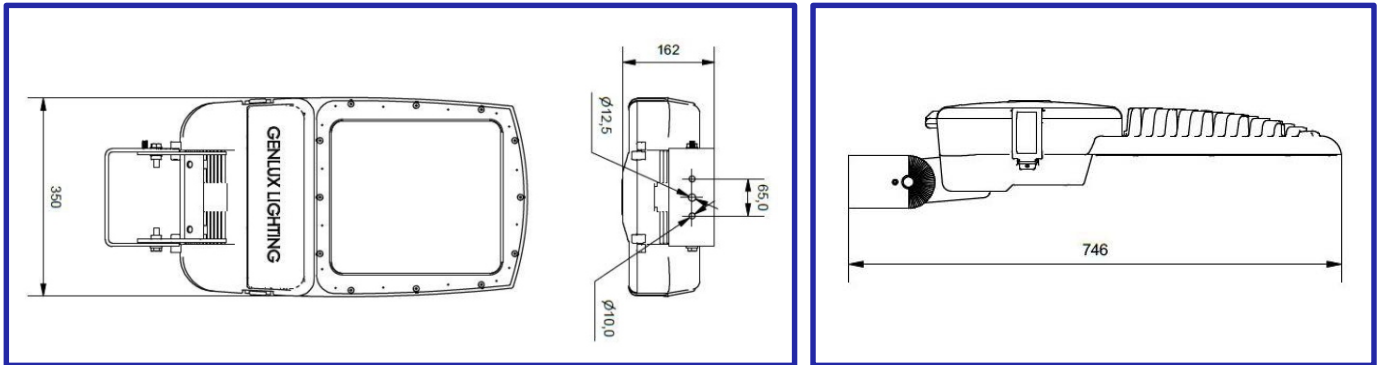
BONNIE



Specification

- Light source: High powered LED Modules
- Colour temperature: 3000K* 4000K 5000K*
- Operating temperature range: -30°C to 45°C
- Operational: 5% to 95%
- Storage: 10% to 90%
- Design life: 100 000 hours
- Typical Lumen maintenance: Up to L90 @ 100 000 hours
- IP Rating: IP66 (Lamp and gear compartment)
- Luminaire housing: High-pressure die-cast LM6 aluminum finished with a durable dark grey* polyester epoxy powder coating.
- Luminaire clips and fasteners: 304 Grade* stainless steel
- Diffuser: • 4mm Clear tempered glass diffuser
- Optics: Optical grade acrylic (PMMA) Zhaga book 15 compliant lenses
- Impact protection grade: Ik08
- Mounting options: Adjustable Stirrup mount
- Windage area: 0.12 m2
- Dimmable: 1-10V or DALI*
- Surge protection: 20kV / 20kA
- Power supply: 220V to 240V AC 50/60 Hz.
- Power factor: 0.98
- Insulation classification: Class 1
- Weight: 15.5 kg – 16.30 kg
- Compliance standard/s: • SANS / IEC 60598-2-5 SANS 475
- Warranty: 20 year warranty on luminaire body
7 year warranty on internal components

Dimension






Technical Information

Code	Power	Driving Current (mA)	Effective light output (lm)
BONNIE-206	206	510	25404
BONNIE-225	225	552	27269
BONNIE-270	270	650	31620
BONNIE-280	280	550	33212

Specification Options

Colour Temperature

-  3000K
-  4000K
-  5000K