



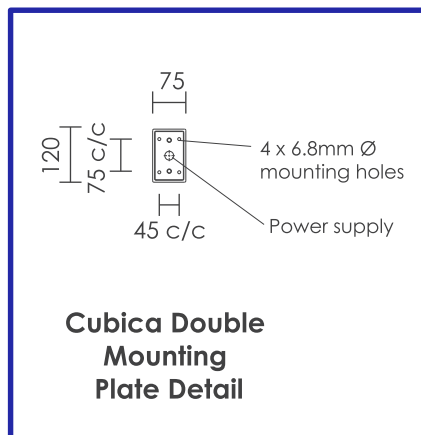
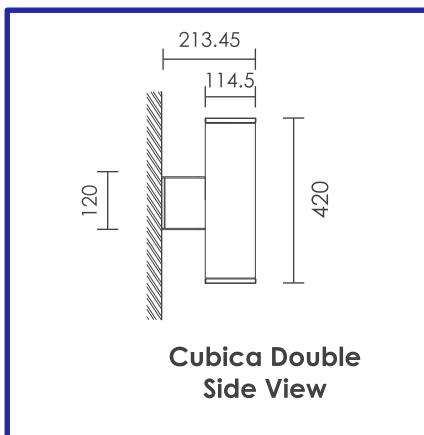
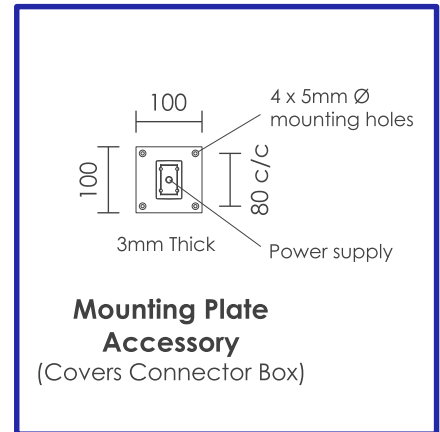
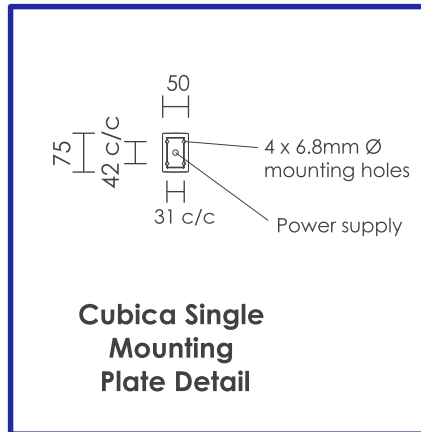
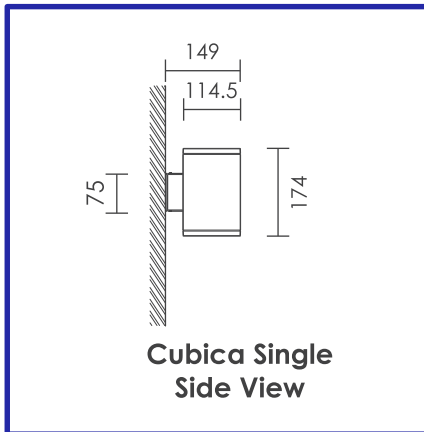
## ALBIE SINGLE & DOUBLE



### Specification

- HOUSING : LM 6 die cast aluminium and extruded aluminium.
- LIGHT SOURCE : The fitting is designed to operate a 17W LED.
- DIFFUSER : Opti glass 4mm, which allows for 10% better heat and light distribution.
- REFLECTOR : 93% efficiency. Precision-molded from high grade PC UL94 HB rated material with operating rating -40°C to +100°C. Beam angle 20° or 31°.
- FINISH : Powder coated.
- MOUNTING : Wall mounted.
- Single - up or down.
- Double - up and down light.
- ACCESSORIES : Mounting plate accessory for Cubica single to cover connector box.
- CONTROL GEAR : The electronic supply is suitable for operation with 220 – 240 volts - 50 hertz single phase.
- FASTENERS : All external screws are stainless steel.
- GASKET : EPDM gasket.
- INGRESS PROTECTION : Ip65.
- MECHANICS : Operating Temperature (Ta) ≤ 35° C.
- Weight : Albie Single 3Kg including control gear.
- Albie Double 4Kg including control gear.

## Dimension



## Technical Information

Code	Power	Normal flux (lm)	LED Current (mA)
ALBIE-20W	20W	3035	500

## Specification Options

### Colour Temperature

